



Fixing plates from stainless steel for sensor boxes

Application

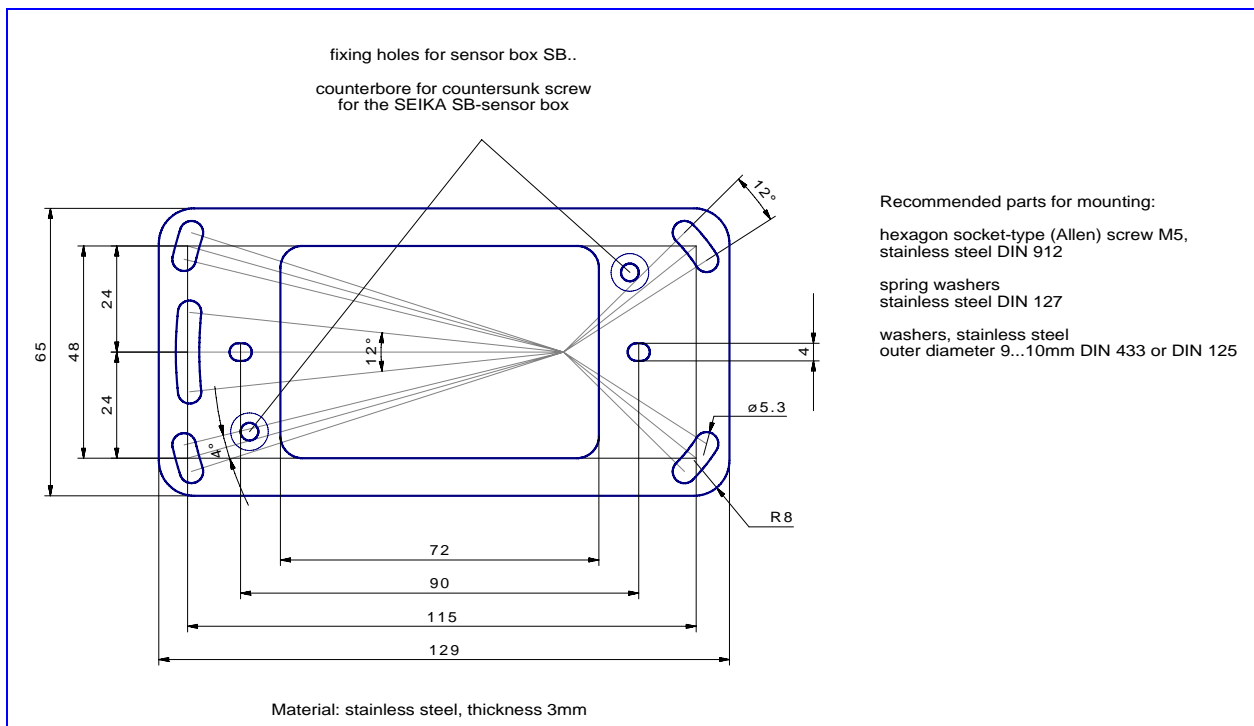
The fastening plates and the fastening angle are for easy mounting and alignment of the sensor boxes (type SB..) at the point of measurement. Mounting and alignment can be done without opening the sensor box.

Technical Specifications

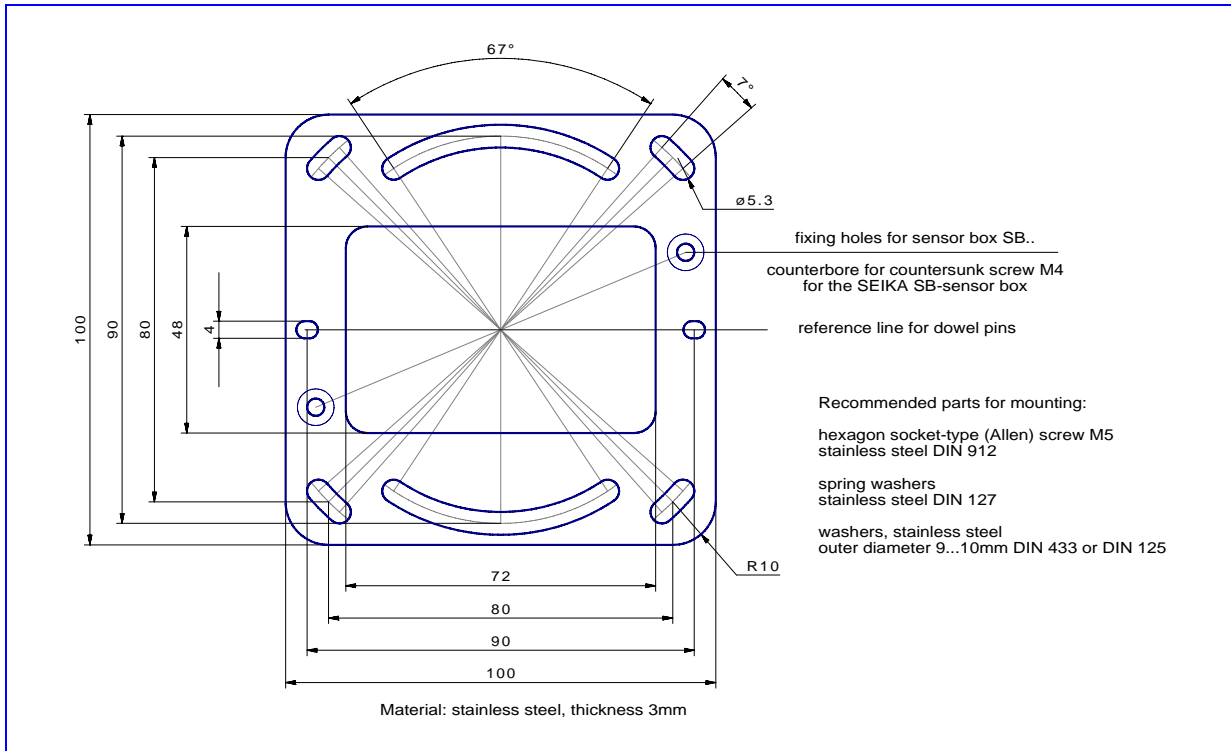
Material	stainless steel
Weight SBBS1, SBBB1, SBBW1 without sensor box	102, 128, 272 gramms
Weight of fasteners of sensor box (screws M4 and inserted nut M4)	approx. 10 gramms
Dimensions	see drawings

Screws and inserted nuts for connecting the sensor box to the fastening plate are included in delivery.

Dimensions SBBS1 (in mm)



Dimensions SBBB1 (in mm)



Dimensions SBBW1 (in mm)

